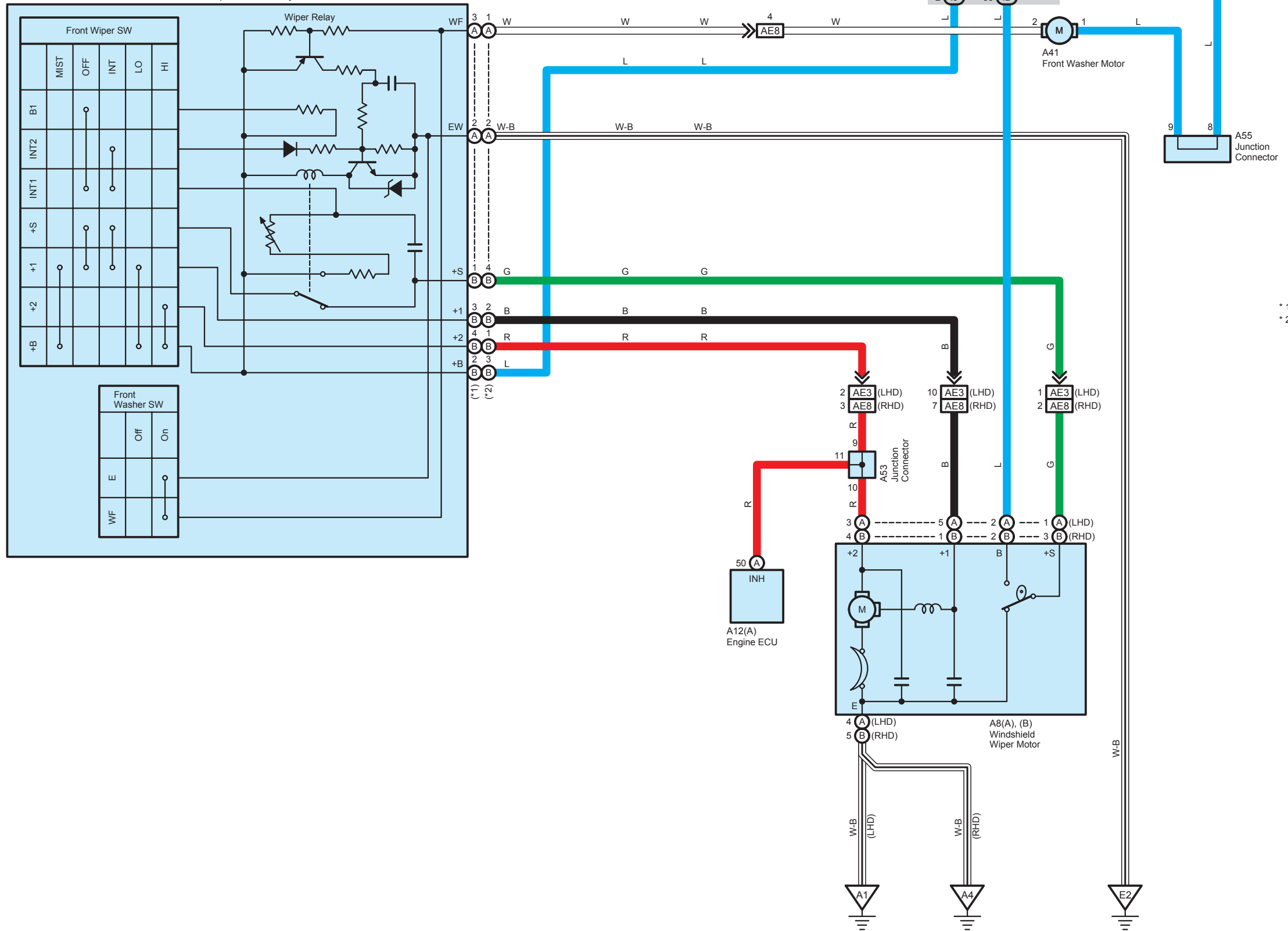


E12(A), E13(B)
Windshield Wiper SW Assembly



* 1 : RH Wiper Lever Type
* 2 : LH Wiper Lever Type